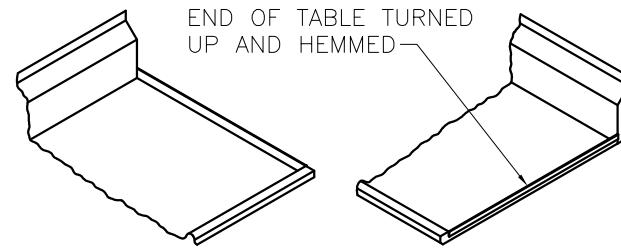
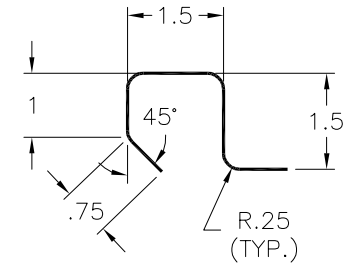


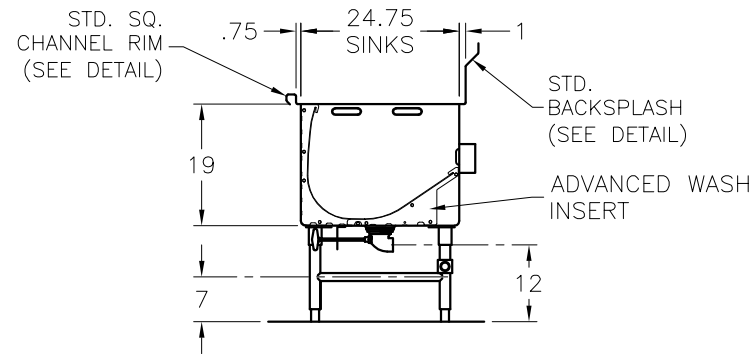
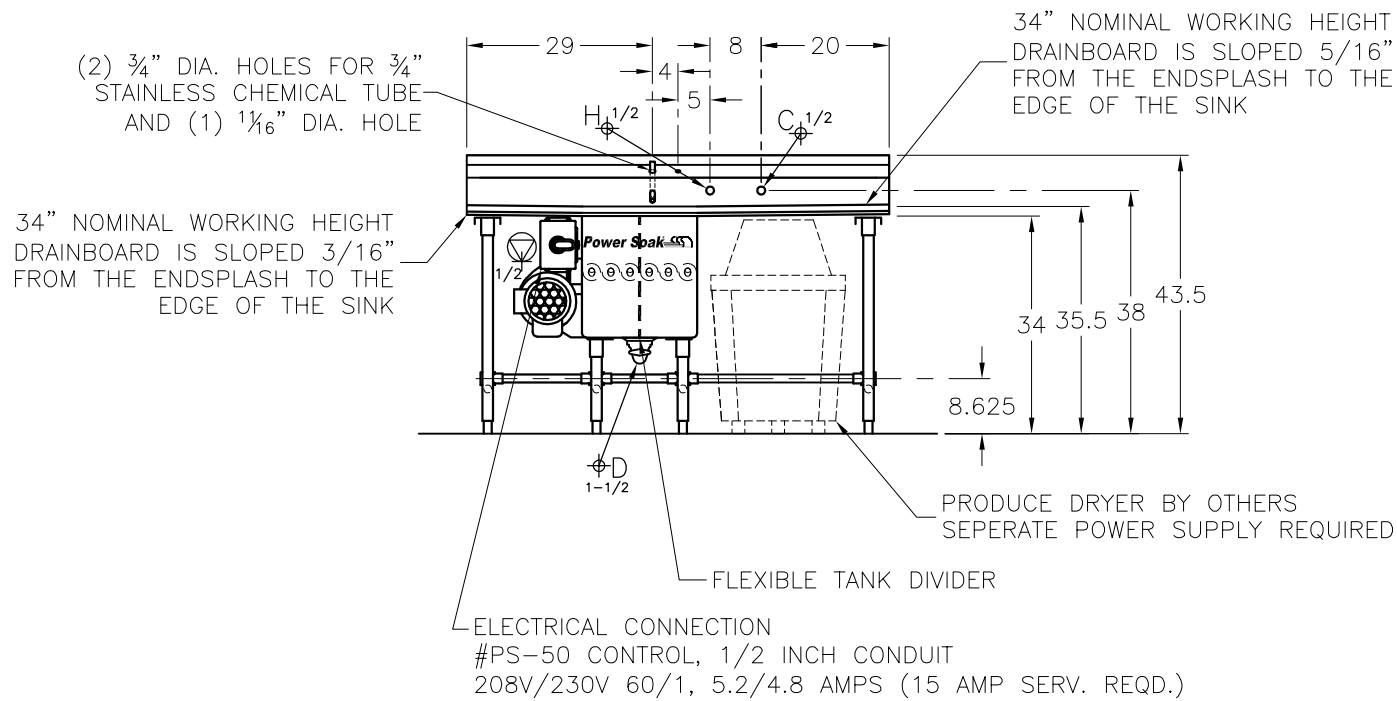
UNIT IS SUPPLIED WITH POWER SOAK ADVANCED WASH INSERT



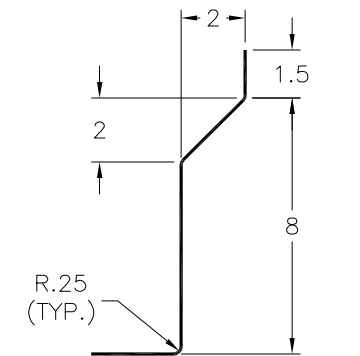
HEMMED ENDSPLASH DETAIL



SQ. CHANNEL RIM DETAIL



SECTION "A"



BACKSPLASH DETAIL

Rev.	Date	Name
G	10/23/13	C.P.
F	02/13/13	C.P.
E	02/02/12	C.P.
D	11/03/11	C.P.
C	03/30/11	C.P.
B	03/18/11	C.P.
A	03/01/11	C.P.

POWER SOAK SYSTEMS INC. AND ITS SUBSIDIARIES CLAIM PROPRIETARY RIGHTS IN THE MATERIAL HEREIN DISCLOSED. IT IS SUPPLIED IN CONFIDENCE, WITHOUT PREJUDICE TO ANY PATENT RIGHTS OF POWER SOAK SYSTEMS INC., AND MAY NOT BE REPRODUCED, SHARED OR USED WITHOUT POWER SOAK SYSTEMS INC. AND ITS SUBSIDIARIES, WRITTEN PERMISSION. ALL INFORMATION ALWAYS REMAINS THE SOLE PROPERTY OF POWER SOAK SYSTEMS INC. © 2007 POWER SOAK SYSTEMS INC.

DRAWN BY: C.P.	DATE DRAWN: 01/14/11	SHEET 1 OF 1	CUSTOMER ITEM NUMBER	SHEET SIZE B
-------------------	-------------------------	--------------	----------------------	-----------------

DEALER

JOB NAME

- NOTES:
- > (1) 1/2" IPS PRE-RINSE ADD-A-FAUCET SUPPLIED BY POWER SOAK. 1-1/4" DIA. MTG. HOLES BY POWER SOAK.
  - > (1) 1-1/2" IPS REAR EXIT ROTARY BALL VALVE DRAINS #DBN-9100-PS SUPPLIED BY POWER SOAK.
  - > UNIT WILL SHIP IN ONE PIECE. IF A FIELD JOINT IS REQUIRED CONSULT FACTORY.
  - > WASH SINK IS SUPPLIED WITH (1) EASY REMOVAL BASKET.
  - > WASH TANK IS SUPPLIED WITH (1) PRODUCE SOAK FILTER ASSEMBLY.



**PowerSoak** SYSTEMS  
903 East 104th Street Suite 130, Kansas City, MO. 64131  
Ph. 800-444-9624 www.powersoak.com

DRAWING NO. 50PSP66L2B1	CURRENT REV. G
----------------------------	-------------------